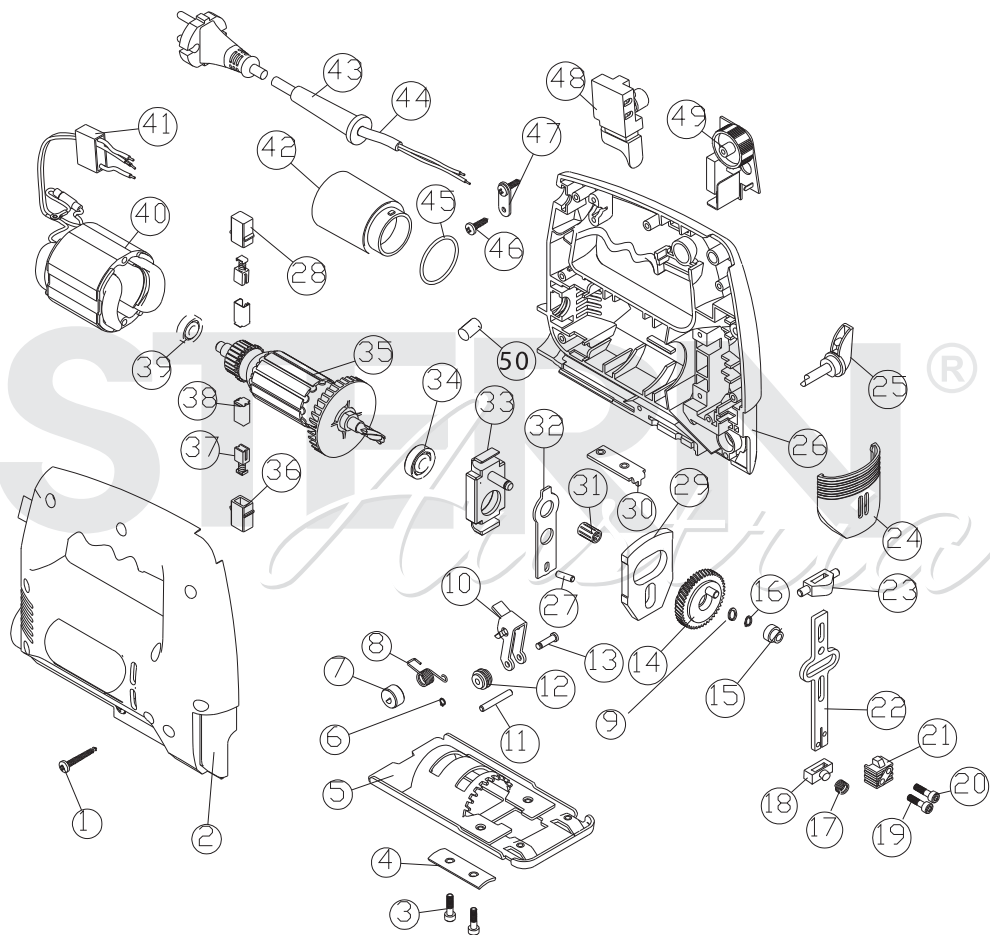


STERN® *Austria*

JIG SAW
JS80B



STERN® JIG SAW *Austria* JS80B

NO.	DESCRIPTION	NO.	DESCRIPTION
1	TAPPING SCREW	26	RIGHT ENCLOSURE
2	LEFT ENCLOSURE	27	PIN
3	ADJUSTING SCREW	28	BRUSH HOLDER
4	CONNECTING PLATE	29	BALANCE BLOCK
5	BASE PLATE	30	CONNECTING PLATE
6	CIRCLIP	31	NEEDLE ROLLER BEARING
7	METAL PENDULUM SWITCH	32	LIFTING KNIFE PLATE
8	ROLLER SPRING	33	BEARING HOLDER
9	WASHER	34	BEARING 608Z
10	ROLLING METAL GUIDE	35	ROTOR
11	SAW HOLDER PIN	36	BRUSH HOLDER
12	SUPPORT ROLLER	37	CARBON BRUSH
13	ROLLER PIN	38	BRUSH BUSHING
14	BIG GEARING	39	BEARING 607Z
15	ROLLER	40	STATOR
16	CIRCLIP	41	CAPACITOR
17	SPRING	42	DUST CONNECTION
18	HOLDER FOR SAW ARM	43	CORD SLEEVE
19	SOCKET HEAD SCREW	44	CORD & PLUG
20	SOCKET HEAD SCREW	45	"O" TYPE RING
21	SAW HOLDER	46	TAPPING SCREW
22	SAW ARM	47	STRAIN RELIEF
23	HOLDER FOR SAW ARM	48	SWITCH
24	PROTECTING GUARD	49	PCB
25	PENDULUM SWITCH KNOB	50	RUBBER PIN